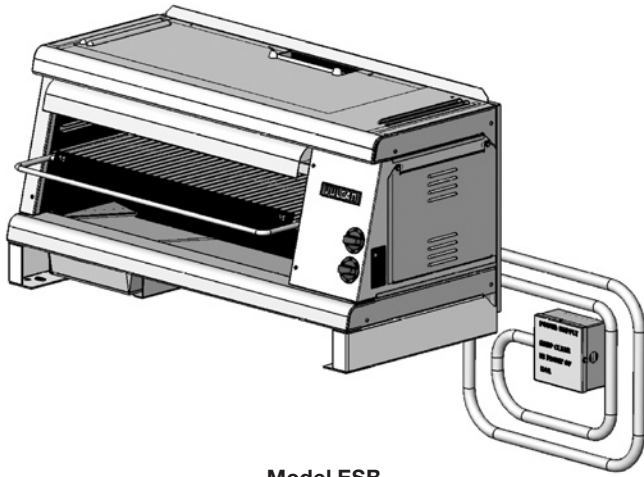


RESTAURANT RANGES

VULCAN**36" ELECTRIC
SALAMANDER BROILER**

Model ESB



- ESB-208** 36" Salamander Broiler / 208V
- ESB-240** 36" Salamander Broiler / 240V
- ESB-480** 36" Salamander Broiler / 480V

STANDARD FEATURES

- Stainless steel front, sides, and top
- 480 volt units have variable heat level with three-position heat switch (hi-med-lo)
- 208 volt and 240 volt units have variable heat level with two controls, left and right infinite switches
- Three-position adjustable grid with a usable area of 25" wide x 13" deep
- One gallon drip pan capacity
- Standard voltage 208 or 240 volt, 1 or 3 phase power supply, 480 volt comes in 1 phase only

SPECIFICATIONS

36" wide electric salamander broiler, Vulcan Model No. ESB. Stainless steel front, sides and top. Variable heat level with front mounted controls (See Standard Features for different controls on 208, 240 volt units and 480 volt units). Three-position adjustable grid with a usable area of 25"w x 13"d. One gallon capacity drip pan. Standard voltage 208 or 240 volt, 1 or 3 phase power supply. 480 volt comes in 1 phase only.

Exterior Dimensions:

21 $\frac{3}{4}$ "d x 36"w x 18 $\frac{2}{3}$ "h

VULCAN

a division of ITW Food Equipment Group LLC

P.O. Box 696 ■ Louisville, KY 40201 ■ Toll-free: 1-800-814-2028 ■ Local: 502-778-2791 ■ Quote & Order Fax: 1-800-444-0602



36" ELECTRIC SALAMANDER BROILER

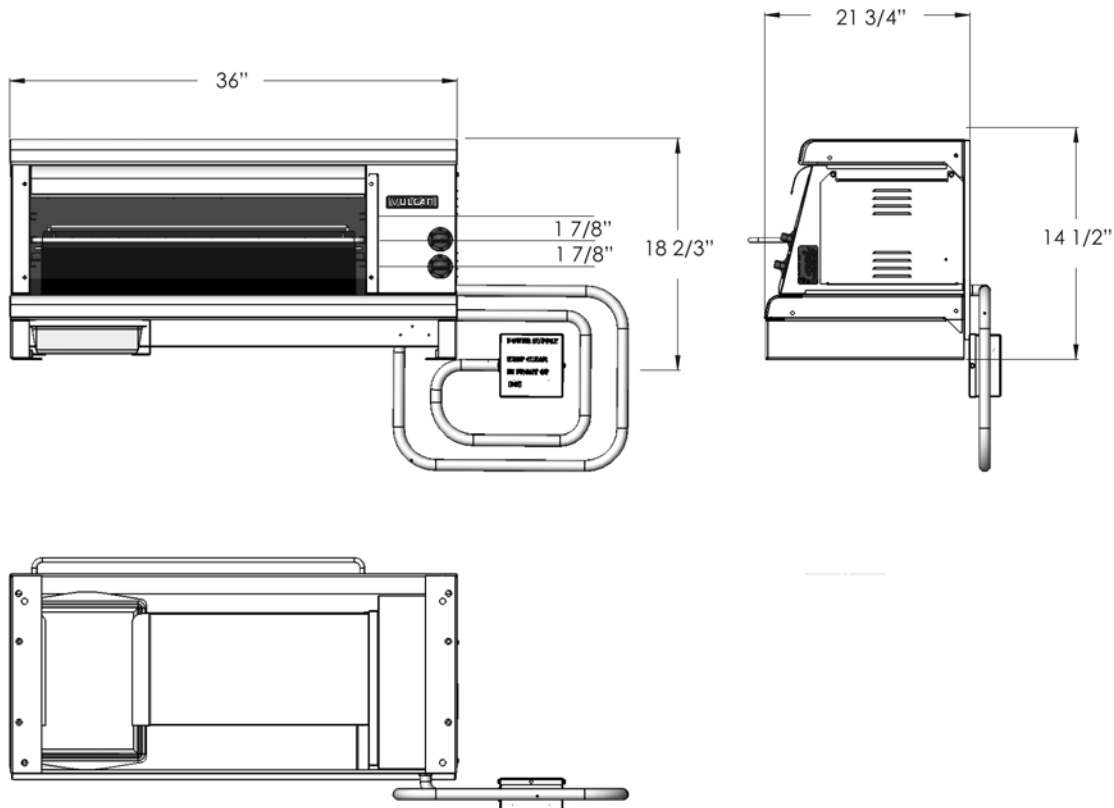
INSTALLATION INSTRUCTIONS

Clearances from Combustible Construction

	Rear	Sides
Range Only	0"	0"
Range and ESB Salamander Broiler	2"	8"

Ranges incorporating hot top sections are 0 inches sides and 0 inches rear to non-combustibles and 6 inches sides and 6 inches rear to combustible constructions.

Clearance Note: Electric Ranges are 0 inches, sides and 0 inches rear from combustible and non-combustible constructions except when hot top sections are incorporated.



AVAILABLE VOLTAGES - 208 OR 240 VOLT - 1 OR 3 PHASE 480 VOLT - 1 PHASE ONLY													
3 PHASE LOADING					NOMINAL AMPS PER LINE WIRE								
MODEL NUMBER	TOTAL CONNECTING KW	KW PER PHASE			3 PHASE						1 PHASE		
					208 VOLT			240 VOLT			1 PHASE		
		X-Y	Y-Z	X-Z	X	Y	Z	X	Y	Z	208V	240V	480V
ESB-208	6.0	3.0	3.0	0	12.5	24.9	12.5	--	--	--	28.8	--	--
ESB-240	6.0	3.0	3.0	0	--	--	--	10.8	21.6	10.8	--	25.0	
ESB-480	6.0	--	--	0	--	--	--	--	--	--	--	--	12.5

This appliance is manufactured for commercial use only and is not intended for home use.



a division of ITW Food Equipment Group LLC

P.O. Box 696 ■ Louisville, KY 40201 ■ Toll-free: 1-800-814-2028 ■ Local: 502-778-2791 ■ Quote & Order Fax: 1-800-444-0602