

RESTAURANT RANGES**VULCAN****12" ELECTRIC
RESTAURANT RANGE**

Model EV12-2FP208
shown with adjustable legs



- EV12-2FP208** 2 French Plates / 208V
- EV12-2FP240** 2 French Plates / 240V
- EV12-2FP480** 2 French Plates / 480V
- EV12-1HT208** 1 Hot Top / 208V
- EV12-1HT240** 1 Hot Top / 240V
- EV12-1HT480** 1 Hot Top / 480V

STANDARD FEATURES

- Fully MIG welded aluminized steel frame for added durability
- Stainless steel front, sides, back riser and legs
- Fully enclosed 31" high body with removable front panel
- Two 9½" round, 2 KW French plates with infinite heat control switches
- 6" stainless steel adjustable legs
- Requires 208, 240 or 480 volt, 1 or 3 phase power supply. (Ranges shipped in 3 phase and are field convertible to single phase)
- One year limited parts and labor warranty

SPECIFICATIONS

12" wide electric restaurant range, Vulcan Model No. EV12-2FP208. Fully MIG welded aluminized steel frame for added durability. Stainless steel front, sides, back riser, and 6" adjustable legs. Two 9½" round, 2 KW French plates with infinite heat control switches on 208 and 240 volt units. Each 9½" round casting is rated 2000 watts at either 208, 240 or 480 volts. On 480 volt units each casting is controlled by a 4 position heat switch. Vulcan Model No. EV12-1HT-208, includes one 12" x 24" 5 KW cast hot top that is thermostatically controlled. Hot top not suitable for griddle work. Hot top available in single phase only.

Exterior Dimensions:

34"d x 12"w x 37"h on 6" adjustable legs

VULCAN

a division of ITW Food Equipment Group LLC

P.O. Box 696 ■ Louisville, KY 40201 ■ Toll-free: 1-800-814-2028 ■ Local: 502-778-2791 ■ Quote & Order Fax: 1-800-444-0602



12" ELECTRIC RESTAURANT RANGE

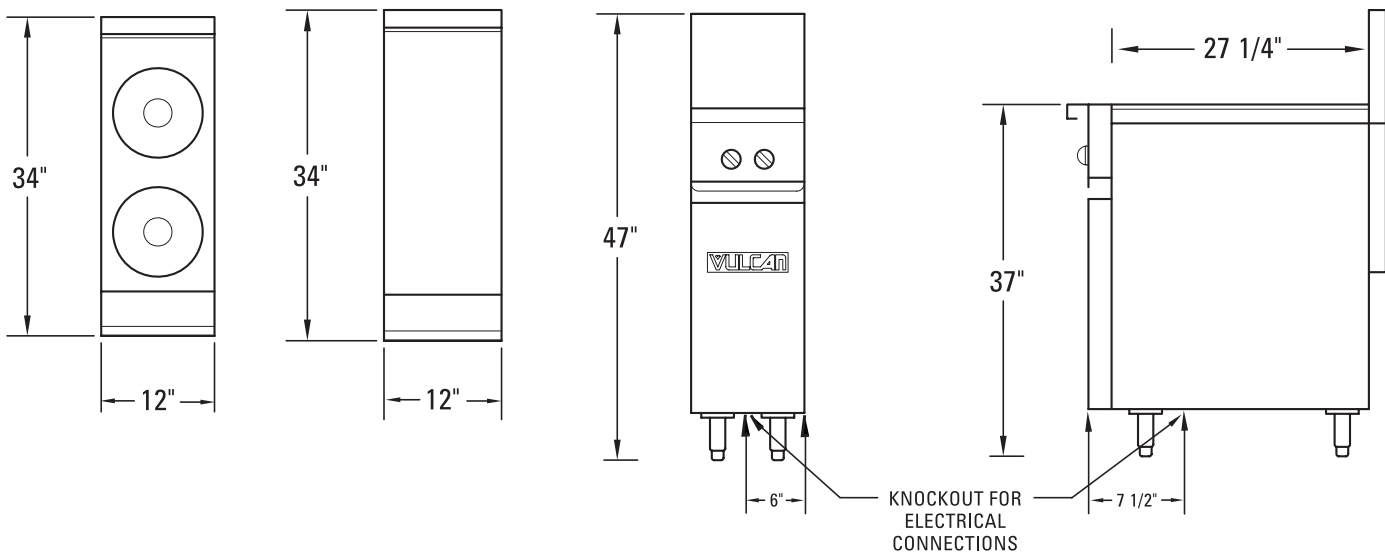
INSTALLATION INSTRUCTIONS

Clearances from Combustible Construction
Range Only

Rear 0"
Sides 0"

Clearance Note: Electric Ranges are 0 inches sides and 0 inches rear from combustible and non-combustible constructions *except when hot top sections are incorporated.*

Ranges incorporating hot top sections are 0 inches sides and 0 inches rear to non-combustibles and 6 inches sides and 6 inches rear to combustible constructions.



208 OR 240 VOLT										
MODEL	TOTAL CONN. KW	LOAD KW PER PHASE								
		3-PHASE								
		L1 - L2			L2 - L3			L1 - L3		
EV12-2FP208	4	2.0			2.0			--		
EV12-2FP240	4	2.0			2.0			--		
NORMAL AMPS PER LINE										
3 PHASE										
1 PHASE										
208V										
240V										
L1			L2			L3			L1 - L2	
L1	L2	L3	L1	L2	L3	L1 - L2	L1 - L2			
EV12-2FP208	4	9.6	17.3	9.6	--	--	--	20.3	--	
EV12-2FP240	4	--	--	--	7.3	14.5	7.3	--	16.7	
EV12-1HT208	5	--	--	--	--	--	--	24.0	--	
EV12-1HT240	5	--	--	--	--	--	--	--	20.8	

480 VOLT						
MODEL	TOTAL CONN. KW	LOAD KW PER PHASE				
		3-PHASE				
		X - Y	Z	Y - Z		
EV12-2FP480	4	2.0	2.0	--		
NORMAL AMPS PER LINE						
3 PHASE						
1 PHASE						
480V						
480V						
		X	Y	Z	X - Z	
EV12-2FP480	4.0	3.6	7.3	3.6	8.3	
EV12-1HT480	5	--	--	--	10.4	

This appliance is manufactured for commercial use only and is not intended for home use.



a division of ITW Food Equipment Group LLC

P.O. Box 696 ■ Louisville, KY 40201 ■ Toll-free: 1-800-814-2028 ■ Local: 502-778-2791 ■ Quote & Order Fax: 1-800-444-0602