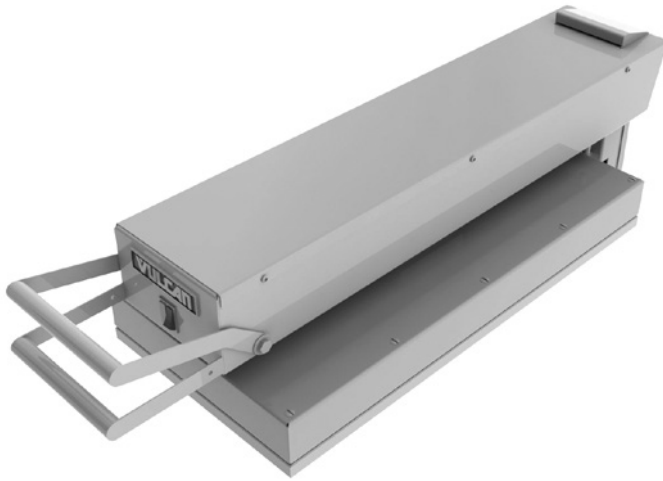


GRIDDLES & BROILERS

VULCAN**GTS12**
HEAVY DUTY ELECTRIC GRIDDLE TOP

Model GTS12-1



- GTS12-1** 208V for Front Grease Trough Griddle
- GTS12-2** 240V for Front Grease Trough Griddle

STANDARD FEATURES

- Stainless steel lift arm and platen body.
- 5/8" composite griddle platen for rapid recovery and even heating.
- 10.4" wide x 22.9" deep cooking surface.
- Safety mechanism with two positive stops, locking at 47 degrees and 90 degrees.
- High efficiency heating elements support high volume production and save energy.
- On/Off switch, power and element cycle lights.
- Thermostat adjusts from 200° to 450°F.
- Compatible for Vulcan HEG, RRG, 900RX, MSA and 900RE series griddle models with standard 4" high backsplashes.
- Available in 208V or 240V 50/60 Hz single phase.
- Junction box for field line connection.
- Teflon sheet mounting kit included with mounting hardware and one sheet.
- Plate gap adjuster included.
- One year limited parts and labor warranty.

SPECIFICATIONS

Heavy duty electric griddle top Vulcan Model No. _____. Stainless steel lift arm and platen body. 5/8" composite griddle platen for rapid recovery and even heating. 10.4" wide x 22.9" deep cooking surface. Safety mechanism with two positive stops, locking at 47 degrees and 90 degrees. High efficiency heating elements support high volume production and save energy. On/Off switch, power and element cycle lights. Thermostat adjusts from 200° to 450° F. Available in 208V or 240V 50/60Hz single phase.

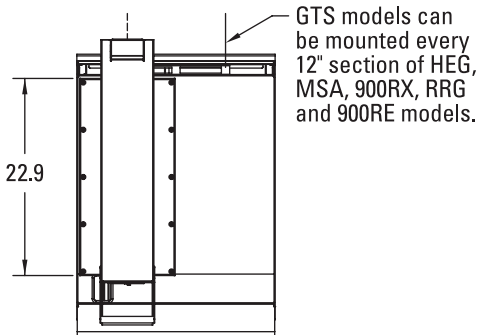
SPECIFY VOLTAGE WHEN ORDERING.**VULCAN**

a division of ITW Food Equipment Group LLC

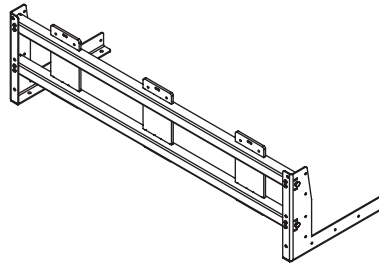
P.O. Box 696 ■ Louisville, KY 40201 ■ Toll-free: 1-800-814-2028 ■ Local: 502-778-2791 ■ Quote & Order Fax: 1-800-444-0602



GTS12 HEAVY DUTY ELECTRIC GRIDDLE TOP



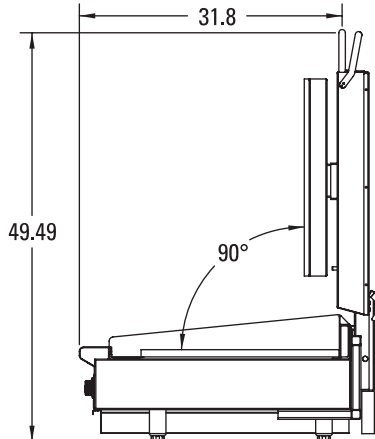
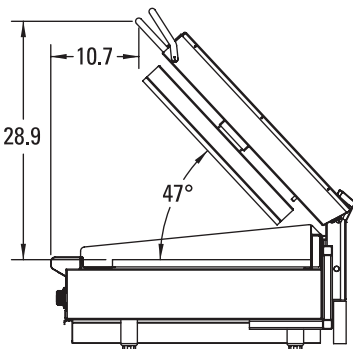
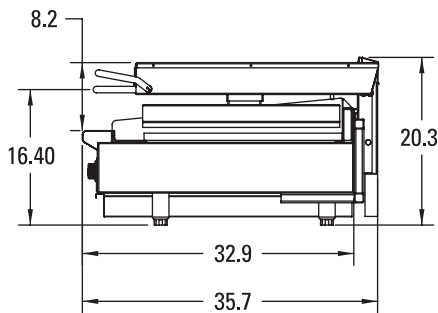
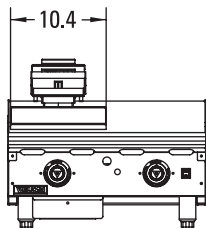
MOUNTING BRACKET



GTS12 units and mounting frames are designed to be used with Vulcan heavy duty gas griddles with standard 4" high backsplashes. (HEG, MSA, 900RE, 900RX and RRG gas griddles). Griddles with backsplashes taller than 4" will require field modification.

Mounting frames are available in 24", 36", 48", 60" and 72" sizes. Specify the griddle type & size for field installations.

Available in 24", 36", 48", 60" and 72" sizes. Specify the griddle type & size for field installations.



This appliance is manufactured for commercial installation only and is not intended for home use.

STANDARD VOLTAGES - 208 VOLTS OR 240 VOLTS 50/60 Hz – SINGLE PHASE

MODEL NO.	DESCRIPTION	VOLTAGE	TOTAL CONN. KW	NOMINAL AMP DRAW	APPROX SHIP WT.
GTS12-1	FRONT GREASE TROUGH MODELS	208 V	3.6 KW	17.3 A	75 lbs/34 kg
GTS12-2		240 V	3.6 KW	15 A	

VULCAN GRIDDLE MOUNTING FRAMES

	24" Griddle	36" Griddle	48" Griddle	60" Griddle	72" Griddle
Approx. Ship Wt.	FRAME-GTS24	FRAME-GTS36	FRAME-GTS48	FRAME-GTS60	FRAME-GTS72
	35 lbs/16 kg	40 lbs/18 kg	53 lbs/24 kg	66 lbs/30 kg	78 lbs/36 kg



a division of ITW Food Equipment Group LLC

P.O. Box 696 ■ Louisville, KY 40201 ■ Toll-free: 1-800-814-2028 ■ Local: 502-778-2791 ■ Quote & Order Fax: 1-800-444-0602

NOTE: In line with its policy to continually improve its products, Vulcan reserves the right to change materials and specifications without notice.