

## ACCESSORIES

### VHP COUNTER MODEL GAS HOTPLATE



**VHP848U WITH CUTTING BOARD**

- CUTTING BOARD
- CONDIMENT RAIL
- PLATE RAIL

#### STANDARD FEATURES

- Stainless steel construction.
- Welded and smooth blended edges.
- Line matched to MSA,900RX griddles and VACB charbroiler accessories.
- Cutting board accessory features stainless steel frame with removable board inserts. Inserts are 1" thick X 7" wide, Sani-TUFF® rubber NSF listed boards.
- Condiment rails will accommodate up to the following amounts of 1/6 size containers:
  - 25" model – 3
  - 36" model – 4
  - 48" model – 6
- Plate rails feature a full 10 5/8" deep stainless steel shelf.
- One year limited parts and labor warranty.



GRIDDLE CUTTING BOARD    CHARBROILER CONDIMENT RAIL    HOTPLATE PLATE RAIL

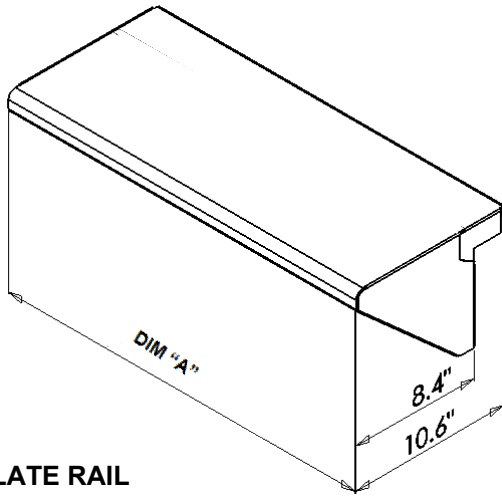
#### OPTIONS

- Product variations available. See your sales representative for product variance requests.

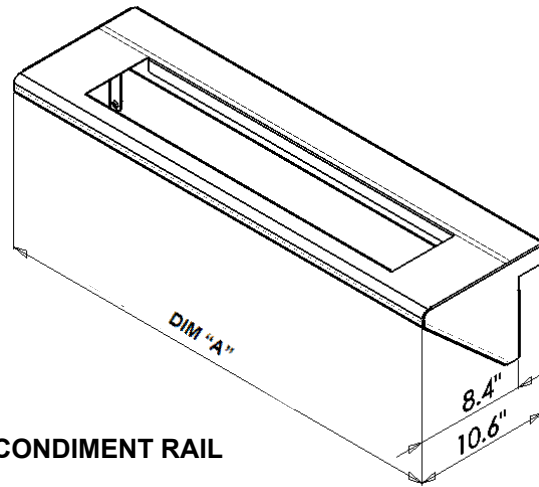
**SPECIFY HOT PLATE SIZE WHEN ORDERING.**

## ACCESSORIES

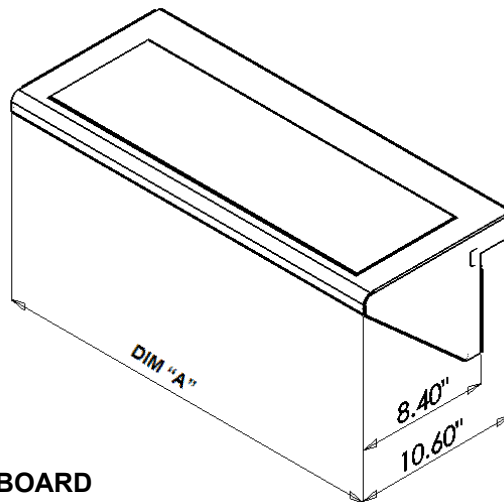
### VHP COUNTER MODEL GAS HOTPLATE



**PLATE RAIL**



**CONDIMENT RAIL**



**CUTTING BOARD**

DIM "A" = 12.00", 24.00", 36.00", 48.00"

ACCESSORY CODES			
MODEL SIZE	PLATE RAIL	CONDIMENT RAIL	CUTTING BOARD
12"	PLTRAIL-AHP12	N/A	N/A
24"	PLTRAIL-AHP24	CONRAIL-AHP24	CUTBD-AHP24
36"	PLTRAIL-AHP36	CONRAIL-AHP36	CUTBD-AHP36
48"	PLTRAIL-AHP48	CONRAIL-AHP48	CUTBD-AHP48*

\*Two Piece Cutting Board

**NOTE:** In line with its policy to continually improve its products, Vulcan-Hart Company reserves the right to change materials and specifications without notice.