

GRIDDLES & BROILERS

VULCAN**WOOD ASSIST STAND
FOR VCCB MODEL GAS CHARBROILER**

Model SMOKER-VCCB72



CSA design certified.

- SMOKER-VCCB47 46.75" wide
- SMOKER-VCCB60 60" wide
- SMOKER-VCCB72 72" wide

STANDARD FEATURES

- Heavy duty, stainless steel welded construction.
- Stainless steel under shelving.
- Removable stainless steel water trays.
- Extra heavy duty, removable steel wood racks.
- Adjustable, locking casters.
- Available for model VCCB47, VCCB60 and VCCB72 Charbroilers.
- Ordered separately and field installed.
- One year limited parts and labor warranty.

*Contact factory for availability of other sizes.



SMOKER-VCCB72 with VCCB72 Charbroiler

VULCAN

a division of ITW Food Equipment Group LLC

P.O. Box 696 ■ Louisville, KY 40201 ■ Toll-free: 1-800-814-2028 ■ Local: 502-778-2791 ■ Quote & Order Fax: 1-800-444-0602



WOOD ASSIST STAND FOR VCCB MODEL GAS CHARBROILER

INSTALLATION REQUIREMENTS:

1. An adequate ventilation system is required for commercial cooking equipment. Information may be obtained by writing to the National Fire Protection Association, Batterymarch Park, Quincy, MA 02269. When writing refer to NFPA No. 96.
2. These units are manufactured for installation in accordance with National Fuel Gas Code, ANSI-Z223.1/NFPA #54 (latest edition). Copies may be obtained from The American Gas Association, Accredited Standards Committee Z223 @ 400 N. Capital St. NW, Washington, DC 20001, or the Secretary Standards Council, NFPA, 1 Batterymarch Park, Quincy, MA 02169-7471.

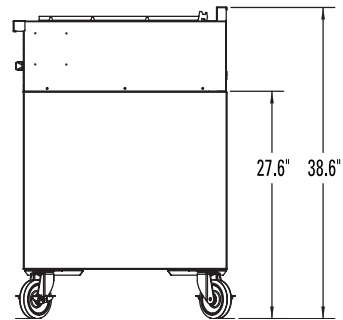
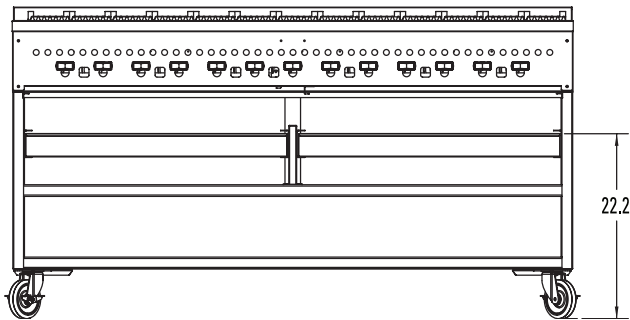
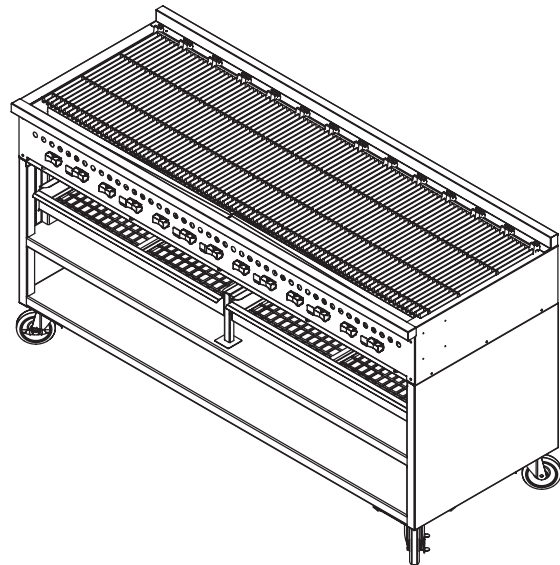
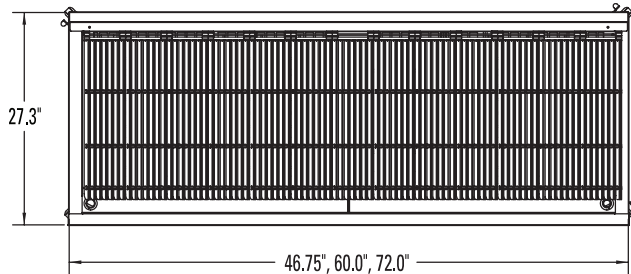
NOTE: In The Commonwealth of Massachusetts

All gas appliances vented through a ventilation hood or exhaust system equipped with a damper or with a power means of exhaust shall comply with 248 CMR.

3. CLEARANCES: This model's series is for installation in noncombustible locations with the following clearances:

	Back	Right Side	Left Side
Above grid level	3"	0"	0"
Below grid level	3"	0"	0"

4. This appliance is manufactured for commercial installation only and is not intended for home use.



MODEL	WIDTH	DEPTH	OVERALL HEIGHT*	NUMBER OF TRAYS	APPROX SHIP WT (LB/KG)
SMOKER-VCCB47	46.75"	27.3"	38.6"	2	305/138
SMOKER-VCCB60	60"	27.3"	38.6"	2	375/170
SMOKER-VCCB72	72"	27.3"	38.6"	2	423/192

*This is a nominal dimension and can vary by +1.0" with adjustable casters.



a division of ITW Food Equipment Group LLC

P.O. Box 696 ■ Louisville, KY 40201 ■ Toll-free: 1-800-814-2028 ■ Local: 502-778-2791 ■ Quote & Order Fax: 1-800-444-0602

NOTE: In line with its policy to continually improve its products, Vulcan reserves the right to change materials and specifications without notice.