

GRIDDLES & BROILERS**VULCAN****VSP SERIES
STOCKPOT RANGES**

Model VSP100

- VSP100** One section, 18" wide x 24.5" deep
- VSP200F** Two sections, 18" wide x 49" deep

STANDARD FEATURES

- Stainless steel front and sides.
- Heavy cast iron top grate(s).
- Two concentric 55,000 BTU/hr. ring-type burners per 18" section; 110,000 BTU/hr. input per section.
- Standing pilot ignition system.
- Two infinite heat control valves per section.
- Heat shield to protect control valves.
- 3/4" rear gas connection and gas pressure regulator.
- One year limited parts and labor warranty.

**SPECIFICATIONS****Exterior Dimensions:**

18" wide x _____" deep x 22½" to 24" working height on adjustable legs

CSA design certified. NSF listed.

SPECIFY TYPE OF GAS WHEN ORDERING.
SPECIFY ALTITUDE WHEN ABOVE 3,999 FT.

VULCAN

a division of ITW Food Equipment Group LLC

P.O. Box 696 ■ Louisville, KY 40201 ■ Toll-free: 1-800-814-2028 ■ Local: 502-778-2791 ■ Quote & Order Fax: 1-800-444-0602



**VSP SERIES
STOCKPOT RANGES**

INSTALLATION REQUIREMENTS:

1. A gas pressure regulator sized for this unit was included.
Natural Gas 5" W.C.
Propane Gas 10" W.C.
2. Gas line connecting to appliance must be 3/4" diameter or larger.
If flexible connectors are used, the inside diameter must be the same as the 3/4" pipe.
3. An adequate ventilation system is required for commercial cooking equipment. Information may be obtained by writing to the National Fire Protection Association, 1 Batterymarch Park, Quincy, MA 02169, www.NFPA.org. When writing refer to NFPA No. 96.
4. These units are manufactured for installation in accordance with National Fuel Gas Code, ANSI-Z223.1/NFPA #54 (latest edition). Copies may be obtained from The American Gas Association,

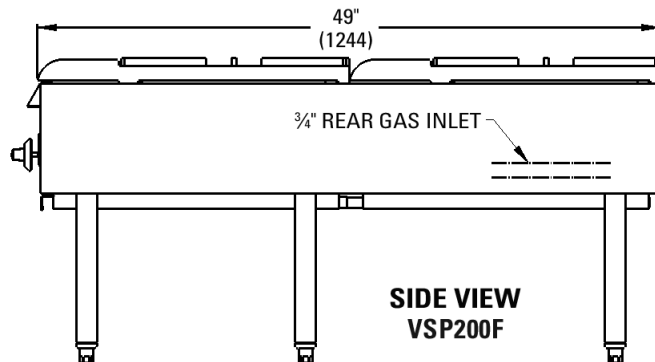
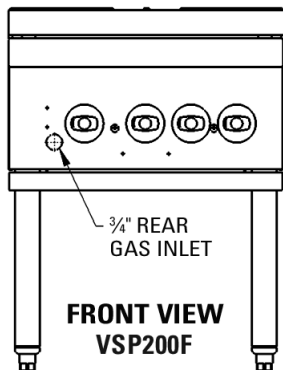
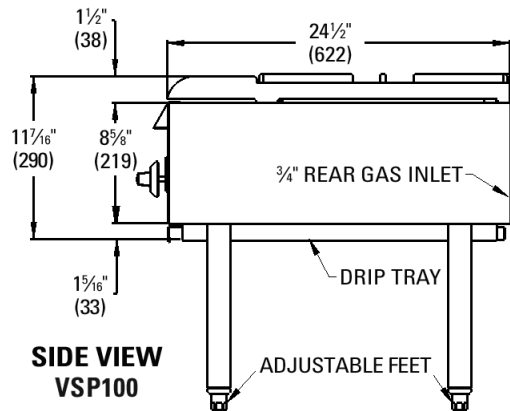
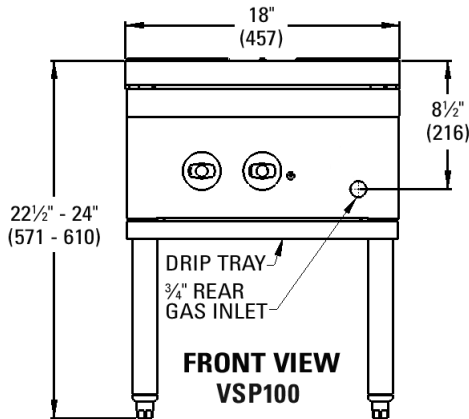
Accredited Standards Committee Z223 @ 400N. Capital St. NW, Washington, DC 20001, or the Secretary Standards Council, NFPA, 1 Batterymarch Park, Quincy, MA 02169-7471.

NOTE: In the Commonwealth of Massachusetts

All gas appliances vented through a ventilation hood or exhaust system equipped with a damper or with a power means of exhaust shall comply with 248 CMR.

5. Clearances:

| | Combustible | Non-Combustible |
|-------|-------------|-----------------|
| Rear | 24" | 4" |
| Sides | 18" | 0" |
6. This appliance is manufactured for commercial installation only and is not intended for home use.



| MODEL | TOTAL BTU/HR. | WIDTH | DEPTH | HEIGHT | APPROX. SHIP WT. (LB/KG) |
|---------|---------------|-------|---------|----------------|--------------------------|
| VSP100 | 110,000 | 18" | 24 1/2" | 22 1/2" to 24" | 145/66 |
| VSP200F | 220,000 | 18" | 49" | 22 1/2" to 24" | 290/131 |



a division of ITW Food Equipment Group LLC

P.O. Box 696 ■ Louisville, KY 40201 ■ Toll-free: 1-800-814-2028 ■ Local: 502-778-2791 ■ Quote & Order Fax: 1-800-444-0602

NOTE: In line with its policy to continually improve its products, Vulcan reserves the right to change materials and specifications without notice.