

**WARING**  
COMMERCIAL

## Margarita Madness®

MMB142

### Features

- New heavy-duty 2 speed, 1½ HP motor
- 24,000 RPMs on High
- Great for margaritas, fruit smoothies and other popular frozen drinks
- User replaceable metal reinforced drive coupling
- 48-ounce blending jar
- One-piece cutter blade
- Limited One Year Warranty





# Margarita Madness<sup>®</sup>

## MMB142

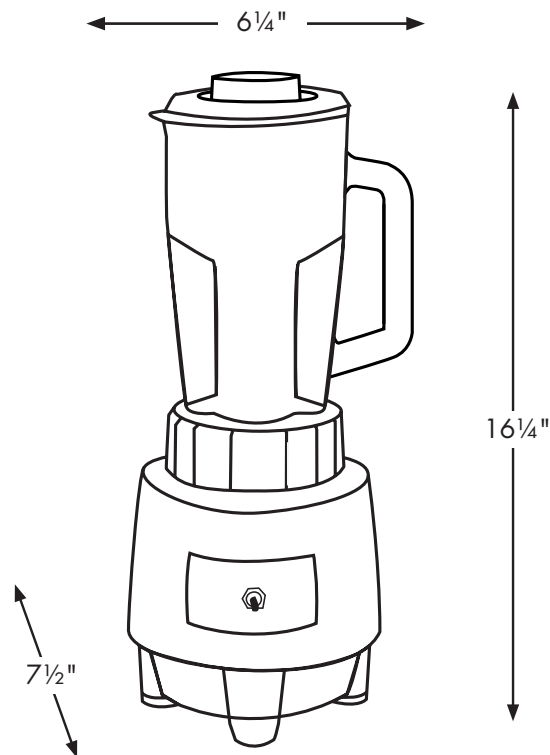


### Specifications

| Item   | Electrical     | Listings     | Dimensions<br>(H" x W" x D") | Warranty       |
|--------|----------------|--------------|------------------------------|----------------|
| MMB142 | 120 VAC, 60 Hz | UL, CUL, NSF | 16¼" x 6¼" x 7½"             | Limited 1 Year |

### Ordering Information

| Description  | Catalog # | Std Pkg. | Ship Wt.<br>(Lbs.) | Cubic Feet | UPC Code     |
|--|-----------|----------|--------------------|------------|--------------|
| Heavy-duty bar blender with 48-oz. polycarbonate jar | MMB142    | 1        | 13.1               | .85        | 040072991110 |



Waring Commercial • 314 Ella T. Grasso Ave. • Torrington • Connecticut 06790  
Tel. (800) 492-7464 • Fax (860) 496-9008 • [www.waringproducts.com](http://www.waringproducts.com) • ©2006