

WARING® COMMERCIAL PANINI GRILLS

WARING
COMMERCIAL

Features

- Flat cast-iron plates
- Brushed stainless steel body and removable drip tray
- Hinged, auto-balancing top plate to suit foods up to 3" thick
- Adjustable thermostat to 570°F
- Power & ready indicator lights
- Heat-resistant handles
- Limited One Year Warranty

Italian-Style Toasting Grills

WFG150/WFG250/WFG300



WFG150



WFG300





Italian-Style Toasting Grills WFG150/WFG250/WFG300

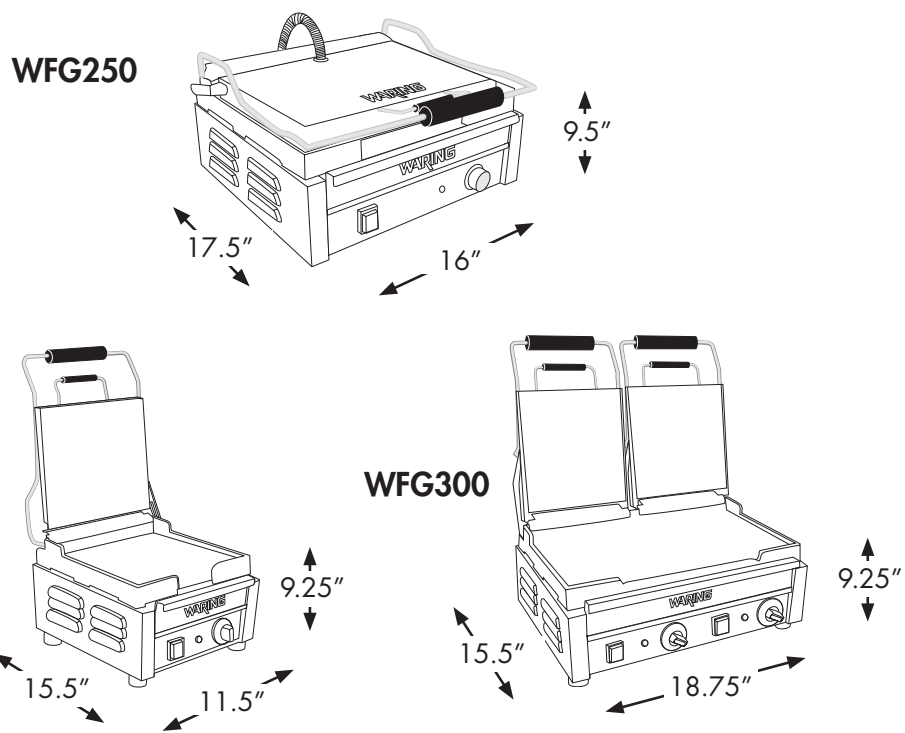


Specifications

Item	Electrical	Listings	Dimensions (H" x W" x D")	Warranty
WFG150	120 Volt, 15A	UL, NSF	9.25" x 11.5" x 15.5"	Limited 1 Year
WFG250	120 Volt, 15A	UL, NSF	9.5" x 16" x 17.5"	Limited 1 Year
WFG300	240 Volt, 13A	UL, NSF	9.25" x 18.75" x 15.5"	Limited 1 Year

Ordering Information

Description	Catalog #	Std Pkg.	Ship Wt. (Lbs.)	Cubic Feet	UPC Code
Tostato Perfetto™ Compact Flat Grill	WFG150	1	44 lbs.	2.4	040072006166
Tostato Supremo™ Large Flat Grill	WFG250	1	64 lbs.	3.7	040072006159
Tostato Ottimo™ Dual Flat Grill	WFG300	1	84 lbs.	3.8	040072006142



Waring Commercial • 314 Ella T. Grasso Ave. • Torrington • Connecticut 06790
Tel. (800) 492-7464 • Fax (860) 496-9008 • www.waringproducts.com • ©2006

06WC30113