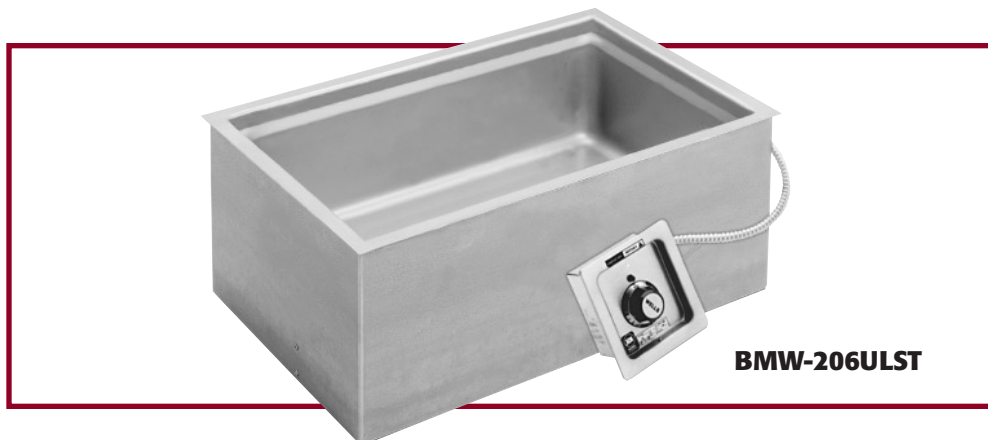


BMW-206ULST BUILT-IN FOOD WARMER

BMW-206ULST BUILT-IN FOOD WARMER



BMW-206ULST

Wells BMW-206ULST built-in “square corner” warmer is designed for quick and easy bottom mount installation, providing an unobstructed, clean countertop. These dependable units have “square corners” and are made with heavy-duty stainless steel. They are fully insulated and will accommodate a standard 12” x 20” steam table pan up to six inches deep.

Specifications

Overall Dimensions:	Inches	MM
Width	13 11/16	348
Depth	21 13/16	554
Temperature Settings:	OFF/LO to HI	
Weights:	Lbs.	KG
Installed	18	8
Shipping	22	10

Features

- **Warming pan is deep drawn, stainless steel** for maximum strength and durability.
- **Control** is recessed in a one piece, die stamped stainless steel, remote panel to help prevent accidental temperature changes.
- **The tubular element**, located under the warming pan, allows for quick heating.
- **The positive-off thermostat (T)** controls the element allowing for adjustable and more consistent temperatures. A signal light indicates that the heating element is energized.
- **Fully insulated** for greater efficiency.
- Warmers are designed for **wet or dry operation**.
- Models available with **optional drain (D)**.
- The BMW-206ULST warmer is **Underwriter’s Laboratories, Inc. LISTED** and meets NSF International and Canadian standards.
- **A one-year warranty** against defects covers parts and labor.

Accessories

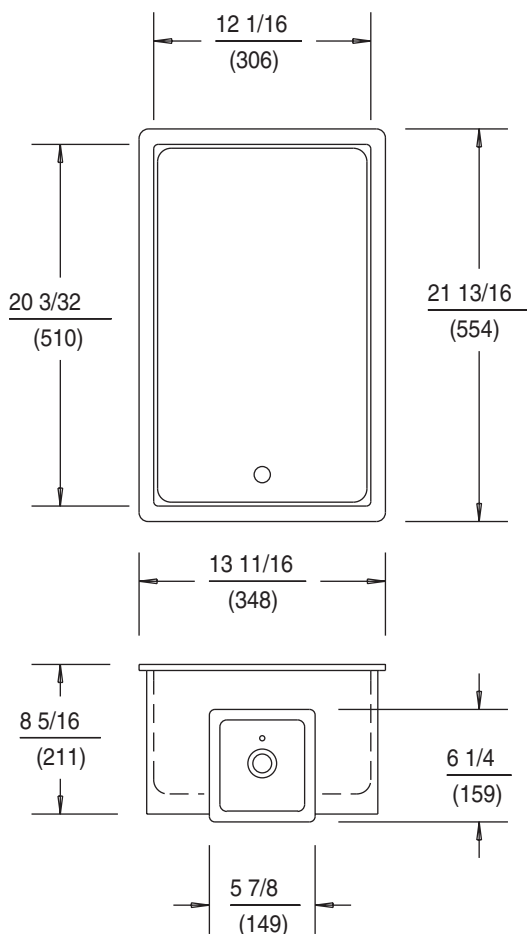
- **Adapter Top**, to convert warmer to hold two 7-quart insets, 20176
- **Adapter Top**, to convert warmer to hold two 4-quart insets and two 2 1/2-quart insets, 20434
- **Adapter Top**, to convert warmer to hold one 7-quart and one 11-quart inset, 21621
- **Adapter Top**, to convert warmer to hold three 4-quart insets, 21615
- **Adapter Top**, to convert warmer to hold four 2 1/2-quart insets, 21624
- **Adapter Top**, to convert warmer to hold one 4-quart and one 7-quart inset, 21617
- **Inset**, 2 1/2-quart capacity with lid, 20773
- **Inset**, 4-quart capacity with lid, 20774
- **Inset**, 7-quart capacity with lid, 20587
- **Inset**, 11-quart capacity with lid, 20908
- **Optional Drain (D)** is available
- **Drain Valve Extension Kit**, extension from drain to counter front with remote handle, for use with “D” models only, 20385



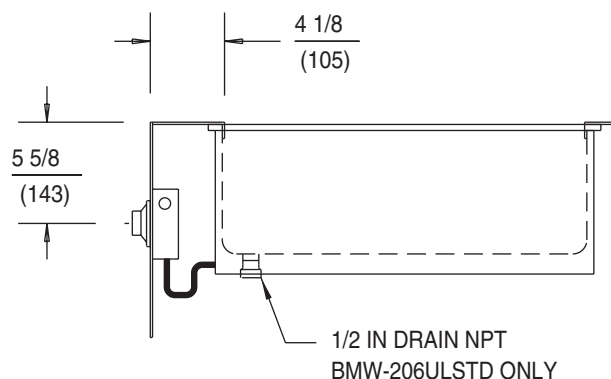


MODEL BMW-206ULST BUILT-IN WARMER

DIMENSIONS:



MINIMUM CLEARANCE FROM UNIT TO THE NEAREST SURFACE			
BACK	SIDE	BOTTOM	FRONT
$\frac{1}{16}$	$\frac{1}{16}$	$\frac{6}{16}$	$\frac{4}{16}$
(25)	(25)	(171)	(105)



BMW-206ULST ELECTRICAL SPECIFICATIONS:

MODELS	VOLTS	WATTS	AMPS	PHASE	POWER SUPPLY CORD
BMW-206ULST	120	1200	10.0	SINGLE	NONE
BMW-206ULST	208	1240	6.0	SINGLE	NONE
BMW-206ULST	240	1650	6.9	SINGLE	NONE

All models with a 'D' suffix have the same electrical specifications as the standard versions.

NOTE: Specifications are subject to change without notice. See installation instructions prior to installing the unit. This document is not for installation purposes.

THIS UNIT IS DESIGNED TO BE INSTALLED IN METAL COUNTERS ONLY

