

HEATED DISPENSER

HEATED DISPENSER



Keeping things hot & fresh is always a challenge, especially during those busy times. The new Wells Heated Dispenser keeps your syrup or gravy hot and ready to serve when you need it. The innovative design requires little counter space and provides a safe heated product for hours. Serving those yummy additions to your meals has never been easier!

Features

- Holds up to 2 ½ gallons of product to accommodate those high volume needs.
- The 140° fixed temperature thermostat insures a consistent product presentation.
- Light indicates when contents are “at temperature” taking the guess work out of serving times.
- No-drip high temperature faucet and drip tray keeps your serving station clean and enables safe and convenient dispensing.
- Durable stainless steel tank and lid is easy to clean.
- Stainless steel handles are positioned for added comfort and easy transport to dispensing or cleaning station.





LISTED
E9253



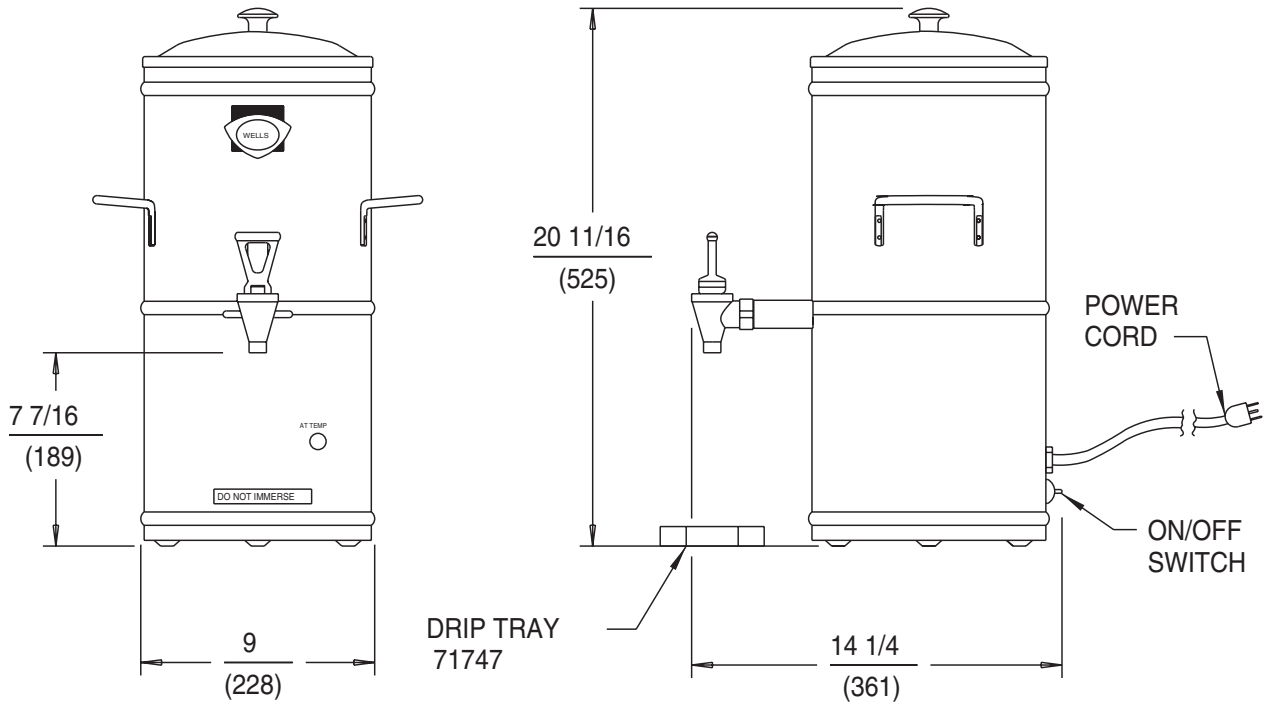
STD.4



LISTED
E9253

**MODEL
HD8799
HEATED DISPENSER**

DIMENSIONS: $\frac{\text{INCH}}{\text{(MM)}}$



HD8799 ELECTRICAL SPECIFICATIONS:

MODELS	WATTS	VOLTS	HZ	AMPS	POWER SUPPLY CORD
HD8799	200	120	50/60	1.7	5-15P

NOTE: Specifications are subject to change without notice.

WELLS MANUFACTURING COMPANY
 2 ERIK CIRCLE, PO BOX 280, VERDI, NV 89439 U.S.A.
 USA PHONE: (775) 689-5700 • FAX: (775) 689-5972
 FOR ORDERS ONLY: (888) 356-5362 • FAX: (800) 356-5142
 www.wells-mfg.com
 © 2002 WELLS MANUFACTURING • PRINTED IN THE U.S.A.
 06/02 • REV(-) • PART NO. 75860

