

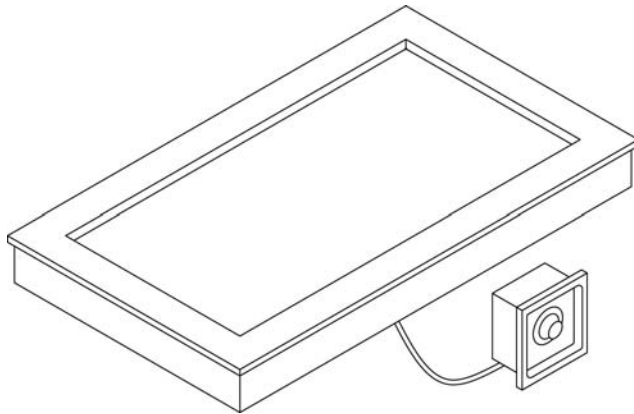


Over 90 Years Of Quality Foodservice
Products And Service

Job _____ Item No. _____

Drop-In Hot Tops

HT-7100 HT-7200 HT-7300 HT-7400



Model HT-7200

DESCRIPTION

Wells Drop-In Hot Tops are designed to keep heated, cooked products at safe temperatures for buffets, pass-through kitchens and to attractively display foods to customers. Factory set temperatures from 180F. One through 4 pans models are available.

SPECIFICATIONS

Exterior – One-piece stainless steel top flange and stainless steel top is flush mounted. Hot Top is easy-to clean. Food-safe stone surface tops are optional.

Interior – Elements are located under the shelf and are fully insulated for even heat distribution and energy savings. Hot Top are 120V with cord and plug and the control enclosure is attached to a 3' conduit from remote mounting.

STANDARD FEATURES

- Self contained drop-in design
- Remote control enclosure with 3' conduit
- 120V with 8' cord and plug for ease of installation
- Stainless steel top
- Stainless steel mounting flange
- Recommended for metal counters
- Fully insulated for even heat distribution and energy savings
- Limited 1 year parts & labor warranty

OPTIONS & ACCESSORIES

- Stone tops in a variety of colors
- 220/230/240V
- 2nd year parts & labor warranty

CERTIFICATIONS



Sheet No. WELLHT-1022



Wells Bloomfield • 10 Sunnen Dr. St. Louis, MO 63143 U.S.A.
Phone : (314) 678-6314 • Fax (314) 781-3636
www.wellsbloomfield.com © 2012 Wells Bloomfield • Printed in the U.S.A.

NOTE: Specifications are subject to change without notice and are not intended for installation purposes. See installation instructions prior to installing the unit.

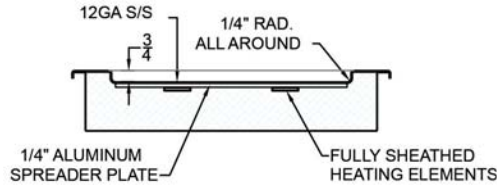
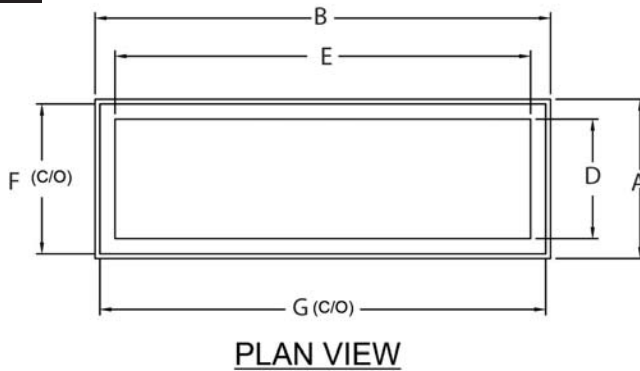


Over 90 Years Of Quality Foodservice Products And Service

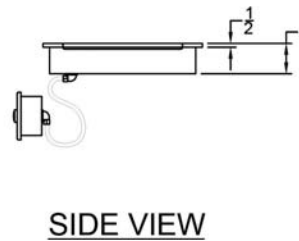
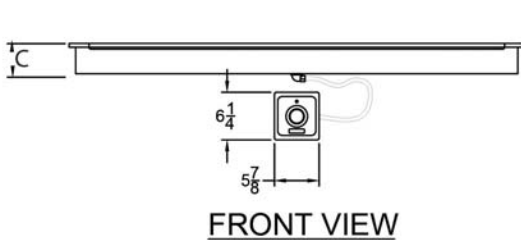
Drop-In Hot Tops

□ HT-7100 □ HT-7200 □ HT-7300 □ HT-7400

INCHES
MM



HT-7400 SHOWN



NOTE: Specifications are subject to change without notice and are not intended for installation purposes. See installation instructions prior to installing the unit.

SPECIFICATIONS								SHIPPING INFORMATION							
Model Number	OVERALL DIMENSIONS			INTERIOR DIMENSIONS		CUT OUT DIMENSIONS		Model Number	WEIGHTS		CARTON DIMENSIONS			CRATE SIZE	
	A Front to Back Inches (MM)	B Left to Right Inches (MM)	C Height Inches (MM)	D Front to Back Inches (MM)	E Left to Right Inches (MM)	Width Front to Back Inches (MM)	Length Left to Right Inches (MM)		SHIPPING WEIGHT POUNDS (KG)	INSTALLED WEIGHT POUNDS (KG)	WIDTH Inches (MM)	DEPTH Inches (MM)	HEIGHT Inches (MM)	CUBIC FEET	CUBIC METERS
HT-7100	21 (533)	24 (610)	4 (102)	15-3/4 (400)	18-3/4 (476)	19-3/4 (502)	22-3/4 (578)	HT-7100	32 (14.5)	20 (9)	25-1/2 (648)	22-1/2 (572)	7-1/2 (191)	2.5	0.7
HT-7200	21 (533)	36 (914)	4 (102)	15-3/4 (400)	30-3/4 (781)	19-3/4 (502)	34-3/4 (883)	HT-7200	45 (20.4)	30 (13.6)	37-1/2 (953)	22-1/2 (572)	7-1/2 (191)	3.7	1
HT-7300	21 (533)	48 (1219)	4 (102)	15-3/4 (400)	42-3/4 (1086)	19-3/4 (502)	46-3/4 (1187)	HT-7300	59 (26.8)	40 (18.1)	49-1/2 (1257)	22-1/2 (572)	7-1/2 (191)	4.8	1.4
HT-7400	21 (533)	60 (1524)	4 (102)	15-3/4 (400)	54-3/4 (1391)	19-3/4 (502)	58-3/4 (1492)	HT-7400	70 (31.8)	50 (22.7)	61-1/2 (1562)	22-1/2 (572)	7-1/2 (191)	6	1.7

POWER SUPPLY- HOT OPERATION					
Model Number	VOLTS	WATTS	AMPS	PHASE	POWER SUPPLY
HT-7100	115	350	3.5	SINGLE	FIELD WIRE
HT-7200	115	575	5.0	SINGLE	FIELD WIRE
HT-7300	115	798	7.0	SINGLE	FIELD WIRE
HT-7400	115	1000	8.7	SINGLE	FIELD WIRE

Due to periodic changes in designs, methods, procedures, policies and regulations, the specifications contained in this sheet are subject to change without notice. While Wells exercises good faith efforts to provide information that is accurate, we are not responsible for errors or omissions in information provided or conclusions reached as a result of using the specifications. By using the information provided, the user assumes all risks in connection with such use.



Wells Bloomfield • 10 Sunnen Dr. St. Louis, MO 63143 U.S.A.
Phone : (314) 678-6314 • Fax (314) 781-3636
www.wellsbloomfield.com © 2012 Wells Bloomfield • Printed in the U.S.A.

NOTE: Specifications are subject to change without notice and are not intended for installation purposes. See installation instructions prior to installing the unit.