

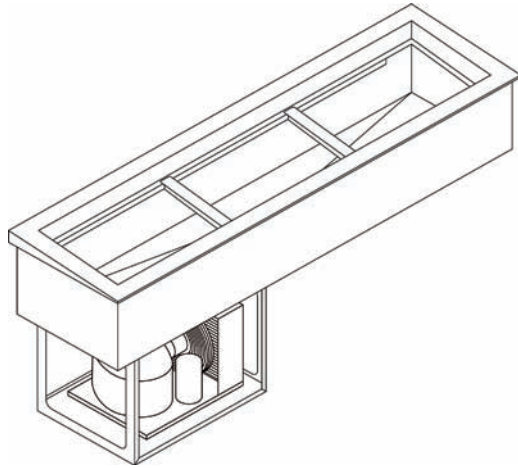


Over 90 Years Of Quality Foodservice  
Products And Service

Job \_\_\_\_\_ Item No. \_\_\_\_\_

# Slim Line Slope Top Refrigerated Cold Pans

RCP-200SLST  RCP-300SLST  RCP-400SLST



Model RCP-300SLST

## DESCRIPTION

Wells Refrigerated Slim Line Slope Top Drop-In Cold Pans are designed for narrow counters and hold pre-chilled food products at cold, fresh and safe serving temperatures. All models are completely self-contained in two, three or four-well models and are CFC free. Includes an 8 ft. 120V cord and plug.

## SPECIFICATIONS

**Exterior** – One-piece top flange and coved-corner interiors constructed of 18 gauge stainless steel. Exterior body constructed of heavy gauge, corrosion resistant steel. Condensing unit mounted on corrosion resistant frame below the cold pan.

**Interior** – CFC free foamed-in-place insulation through-out, 1" drain located in the center for easy cleaning, and recessed ledge for pan support.

**Refrigeration** – Air cooled, Type 134A or 404A CFC free refrigerant system featuring wrapped coil construction on both sides and bottom, individual thermostats, on/off switch, 8 ft. cord and plug set NEMA 5-15P. Refrigeration system features sight glass, easy service valves, dryer/filter and receiver. Condensing unit may be easily removed for service.

## STANDARD FEATURES

- Complies with NFS-2 requirements
- Pans are raised in the rear for improved visibility and access to food products
- Controls located on the operator side (high side of slope)
- Self contained drop-in design
- Hold standard 12" by 20" food pans and fractional sized pans
- Stainless steel top and liner for maximum strength and durability
- 1" drains for ease of cleaning
- On-off switch with 8 ft. cord & plug for ease of installation and operation (120V model)
- Type- 134A or 404A CFC free refrigerant
- Fully insulated, CFC free, foamed-in place insulation keeps food cold while saving energy
- Recessed ledge for pan support and colder, fresher products
- Quick & easy service with sight glass, service valves, filter/dryer and receiver
- Limited 1 year parts & labor warranty

## OPTIONS & ACCESSORIES

- 5-year compressor warranty
- Perforated bottom strainer plate conveniently holds ice above drain to prevent clogging
- Adaptor bars for fractional sized pans
- Remote on/off switch
- 220/230/240V
- 50 cycle
- Remote models (Includes compressor and condensing units and up to 20' leads)
- Remote models without compressors or condensing units
- 2nd year parts & labor warranty
- Special condenser orientation and/or compressor rack location

## CERTIFICATIONS



Sheet No. WELLRCP-SLST-04/13



**Wells Bloomfield** • 10 Sunnen Dr. St. Louis, MO 63143 U.S.A.  
Phone : (314) 678-6314 • Fax (314) 781-3636  
www.wellsbloomfield.com © 2012 Wells Bloomfield • Printed in the U.S.A.

**NOTE: Specifications are subject to change without notice and are not intended for installation purposes. See installation instructions prior to installing the unit.**

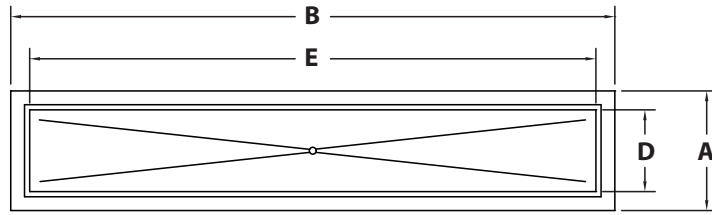


Over 90 Years Of Quality Foodservice Products And Service

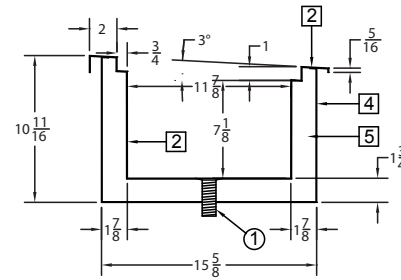
# Slim Line Slope Top Refrigerated Cold Pans

□ RCP-200SLST □ RCP-300SLST □ RCP-400SLST

INCHES  
MM



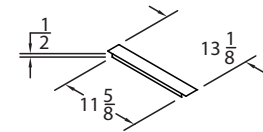
PLAN VIEW



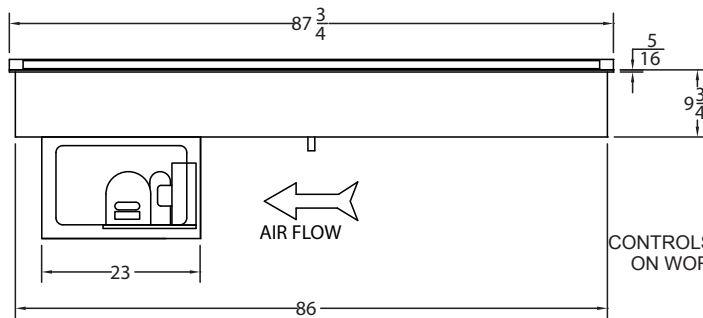
SECTION THRU

Model RCP-400SLST

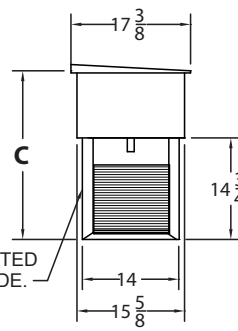
COUNTER CUTOUT:  
86 1/4" X 15 7/8"



ADAPTER BAR  
(3) REQ'D



FRONT ELEVATION



SIDE ELEVATION

**NOTE:**  
Specifications are subject to change without notice and are not intended for installation purposes. See installation instructions prior to installing the unit.

SPECIFICATIONS							
Model Number	OVERALL DIMENSIONS			INTERIOR DIMENSIONS		CUT OUT DIMENSIONS	
	A Front to Back Inches (MM)	B Left to Right Inches (MM)	C Height Inches (MM)	D Front to Back Inches (MM)	E Left to Right Inches (MM)	Width Front to Back Inches (MM)	Length Left to Right Inches (MM)
RCP-200SLST	17-3/8 (441)	46-1/4 (1175)	24-1/2 (622)	11-7/8 (302)	40-3/4 (1035)	15-7/8 (403)	44-3/4 (1137)
RCP-300SLST	17-3/8 (441)	67 (1702)	24-1/2 (622)	11-7/8 (302)	61-1/2 (1562)	15-7/8 (403)	65-1/2 (1664)
RCP-400SLST	17-3/8 (441)	87-3/4 (2229)	24-1/2 (622)	11-7/8 (302)	82-1/4 (2089)	15-7/8 (403)	86-1/4 (2191)

SHIPPING INFORMATION							
Model Number	WEIGHTS		CARTON DIMENSIONS			CRATE SIZE	
	SHIPPING WEIGHT POUNDS (KG)	INSTALLED WEIGHT POUNDS (KG)	WIDTH Inches (MM)	DEPTH Inches (MM)	HEIGHT Inches (MM)	CUBIC FEET	CUBIC METERS
RCP-200SLST	182 (83)	176 (80)	27 (686)	32 (813)	32 (813)	16	0.45
RCP-300SLST	194 (88)	187 (85)	27 (686)	46 (1168)	32 (813)	23	0.65
RCP-400SLST	258 (117)	250 (113)	27 (686)	60 (1524)	32 (813)	30	0.85

POWER SUPPLY- REFRIGERATION OPERATION						
Model Number	VOLTS	HP	AMPS	PHASE	POWER SUPPLY	REFRIGERANT
RCP-200SLST	115	1/4	4.9	SINGLE	NEMA 5-15P	134A
RCP-300SLST	115	1/3	5.6	SINGLE	NEMA 5-15P	404A
RCP-400SLST	115	1/2	6.4	SINGLE	NEMA 5-15P	404A



5-15P

Due to periodic changes in designs, methods, procedures, policies and regulations, the specifications contained in this sheet are subject to change without notice. While Wells exercises good faith efforts to provide information that is accurate, we are not responsible for errors or omissions in information provided or conclusions reached as a result of using the specifications. By using the information provided, the user assumes all risks in connection with such use.



Wells Bloomfield • 10 Sunnen Dr. St. Louis, MO 63143 U.S.A.  
Phone : (314) 678-6314 • Fax (314) 781-3636  
www.wellsbloomfield.com © 2012 Wells Bloomfield • Printed in the U.S.A.

**NOTE: Specifications are subject to change without notice and are not intended for installation purposes. See installation instructions prior to installing the unit.**