

SW-10, SW-10T COUNTERTOP WARMERS

SW-10, SW-10T COUNTERTOP WARMERS



SW-10

Wells Countertop Food Warmers are designed for efficiency and versatility. A tubular element, positioned beneath the food well, is designed for wet or dry operation. The warmers will accommodate a variety of inset sizes with appropriate adapter top.

Specifications

Overall Dimensions:	Inches	MM
Width	12 5/8	321
Depth	12 5/8	321
Height (incl. 1" legs)	9 3/8	238
Temperature Range:	Fahrenheit	Celsius
SW-10	off/low to high	
SW-10T	90° to 212°	32° to 100°
Weights:	Lbs.	KG
Installed	11	5
Shipping	14	6

Accessories / Options

- Adapter Top**, to hold one 4-quart inset, 20822
- Adapter Top**, to hold one 7-quart inset, 20175
- Inset**, 4-quart capacity with lid, 20774
- Inset**, 7-quart capacity with lid, 20587
- Inset**, 11-quart capacity with hinged lid, 21057
- Legs**, set of four, plastic, 4", 20314
- Ladle**, 6 oz., metal, 21764

Features

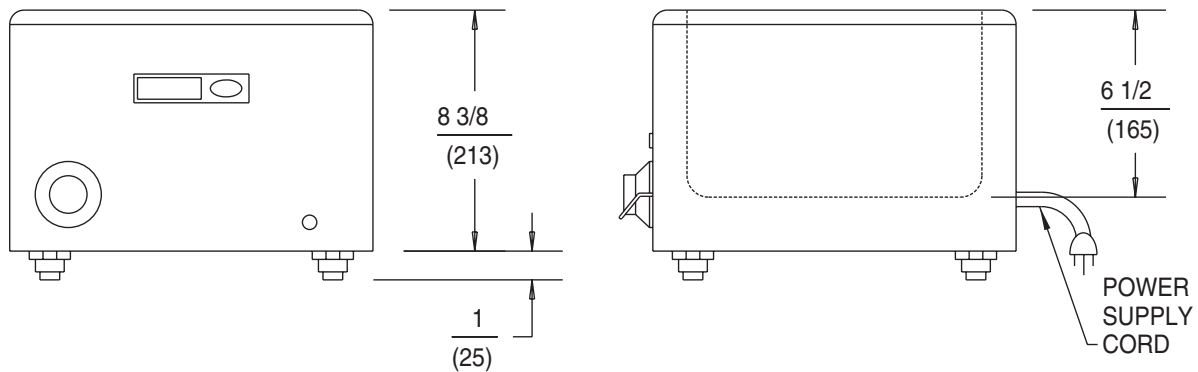
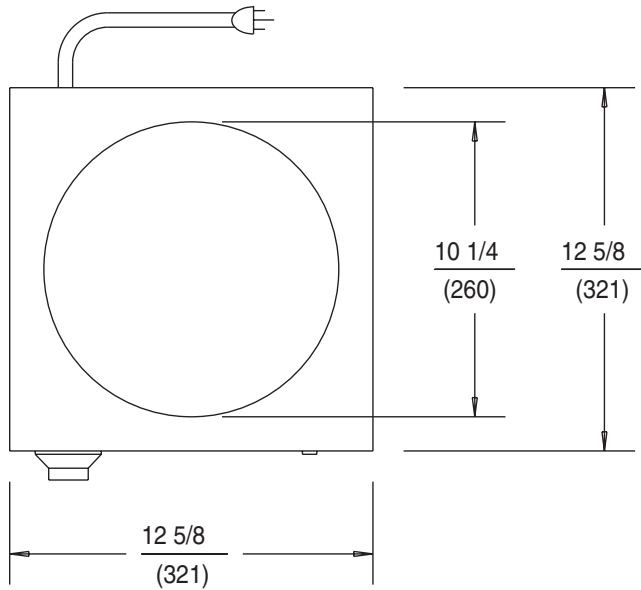
- **The tubular element**, located under the warming pan, allows for quick heating.
- Model SW-10T has a **positive-off thermostat** that controls the element, allowing for adjustable and more consistent temperatures. A signal light indicates that the heating element is energized.
- Model SW-10 has an **inifinite switch** that regulates temperature and has a positive-off position with signal light to indicate a power-on condition.
- **Warming pan** is deep-drawn stainless steel for maximum strength and durability.
- Warmers are designed for **wet or dry operation**.
- **Warming pan** holds a standard 11-quart inset.
- Each unit is provided with **1" legs**
- **The SW-10 and SW-10T Warmers** are Underwriters Laboratories, Inc. LISTED and meet NSF International standards.
- **A one-year warranty** against defects covers parts and labor.





MODELS SW-10, SW-10T WARMERS

DIMENSIONS: $\frac{\text{INCH}}{\text{(MM)}}$



SW-10, SW-10T ELECTRICAL SPECIFICATIONS:

MODELS	VOLTS	WATTS	AMPS	PHASE	POWER SUPPLY CORD
*SW-10	120	450	3.8	SINGLE	NEMA 5-15P
SW-10T	120	825	6.9	SINGLE	NEMA 5-15P

NOTE: Specifications are subject to change without notice. *Meets Canadian Standard Requirements.

WELLS MANUFACTURING COMPANY
 2 ERIK CIRCLE, PO BOX 280, VERDI, NV 89439 U.S.A.
 USA PHONE: (775) 689-5700 • FAX: (775) 689-5972
 FOR ORDERS ONLY: (888) 356-5362 • FAX: (800) 356-5142
 www.wells-mfg.com
 © 2002 WELLS MANUFACTURING • PRINTED IN THE U.S.A.
 02/02 • REV(D) • PART NO. 41926

