

WB-1, WB-2 WAFFLE BAKERS

WB-1, WB-2 WAFFLE BAKERS



Wells WB-1 and WB-2 waffle bakers provide versatility and ease of use. Each unit has a floating hinge to allow the upper grid to rise evenly as the waffle expands during cooking.

Specifications

Overall Dimensions:	Inches	MM
WB-1		
Width	10 1/8	257
Depth	13 1/2	342
Height	8 3/4	222
WB-2		
Width	19 13/16	503
Depth	13 1/2	342
Height	8 3/4	222
Pre-Heat Time:	8 minutes	
Typical Production:	Per Hour	
WB-1	24	
WB-2	48	
Weights:	Lbs.	KG
WB-1		
Installed	13	6
Shipping	14	7
WB-2		
Installed	25	11
Shipping	27	12

Accessories / Options

Replacement drip tray, 21489

Features

- **Elements are controlled** by a factory pre-set precision thermostat.
- **Grids are seven-inch diameter, die-cast aluminum** with a tapered pattern and lipped edge.
- **Floating hinge** allows upper grid to rise evenly as the waffle expands during cooking.
- **Stainless steel front, top and sides** provide maximum strength and durability.
- **Front-mounted adjustable mechanical bell timer** assures consistent waffle color.
- The WB-2 has **two lighted rocker ON/OFF switches** to allow independent operation of each baking unit.
- **Die-stamped stainless steel drip tray** removes easily for cleaning.
- **Handles** are nickel-plated steel with an open-coil design for minimal heat transfer.
- Both WB-1 and WB-2 are **available with Silverstone® grids**.
- The WB-1 and WB-2 waffle bakers are **Underwriters Laboratories, Inc. LISTED** and meet **NSF International** standards.
- **A one-year warranty** against defects covers parts and labor.





LISTED
E6070



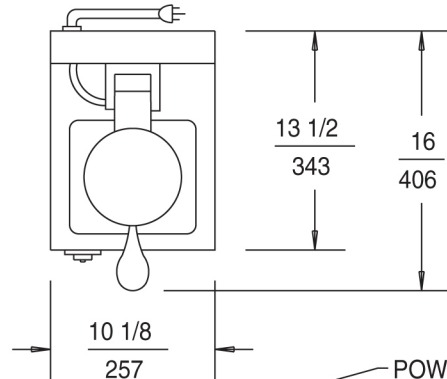
STD.4

MODELS WB-1, WB-2 WAFFLE BAKERS

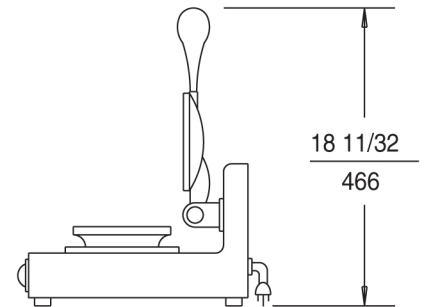
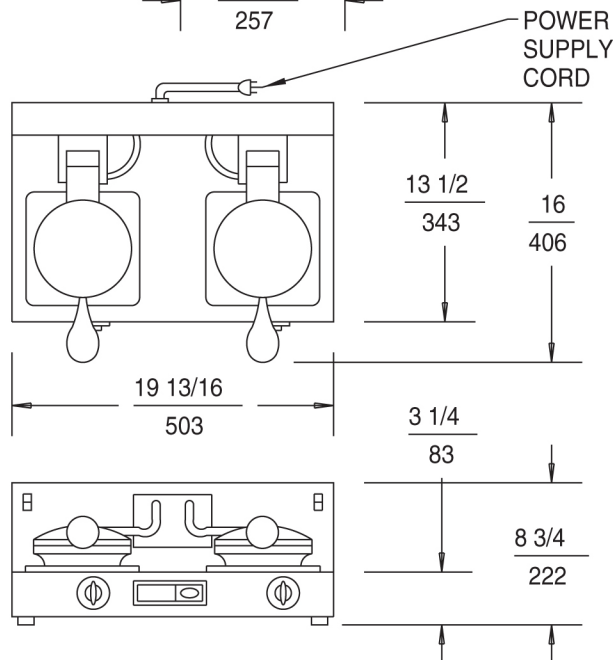
DIMENSIONS:

$\frac{\text{INCH}}{\text{(MM)}}$

WB-1
SINGLE
BAKER



WB-2
DUAL
BAKER



WB-1, WB-2 ELECTRICAL SPECIFICATIONS:

MODELS	VOLTS	WATTS	AMPS	PHASE	POWER SUPPLY CORD
WB-1	120	900	7.5	SINGLE	NEMA 5-15P
WB-1	208	676	3.3	SINGLE	NEMA 6-15P
WB-1	240	900	3.8	SINGLE	NEMA 6-15P
WB-2	120	1800	15.0	SINGLE	NEMA 5-15P
WB-2	208	1352	6.5	SINGLE	NEMA 6-15P
WB-2	240	1800	7.5	SINGLE	NEMA 6-15P

NOTE: Specifications are subject to change without notice.

* All model permanently field wired connected. Power supply single phase, 3-wire, 120/208-240V, L2-N 120VAC

Due to periodic changes in designs, methods, procedures, policies and regulations, the specifications contained in this sheet are subject to change without notice. While Wells exercises good faith efforts to provide information that is accurate, we are not responsible for errors or omissions in information provided or conclusions reached as a result of using the specifications. By using the information provided, the user assumes all risks in connection with such use.

