



IRB36 GAS INFRARED SALAMANDER BROILER



Model IRB36



- IRB36** Gas Infrared Salamander Broiler

STANDARD FEATURES

- Stainless steel front, top and sides.
- Heavy-duty infrared burner, 30,000 BTU/hr. input.
- Infinite heat control valve.
- Standing pilot ignition system.
- Chrome plated trigger grip control handle provides positive positioning of the broiling carriage. Heavy-duty chrome plated broiling grid measures 27½" w x 13" d.
- Removable full width spillage pan.
- ¾" top gas connection and gas pressure regulator.
- One year limited parts and labor warranty.

OPTIONAL FEATURES

- Set of stainless steel wall mount brackets.
- Set of four 4" legs with adjustable feet.

SPECIFICATIONS

Gas infrared salamander broiler, Wolf Model No. IRB36. Stainless steel front, top and sides. Heavy-duty infrared burner, 30,000 BTU/hr. input. Infinite heat control valve. Pilot ignition system. Chrome plated trigger grip control handle provides positive positioning of the broiling carriage. Heavy-duty chrome plated broiling grid measures 27½" w x 13" d. Removable full width spillage pan. ¾" top gas connection and gas pressure regulator.

Exterior Dimensions:

36" w x 19" d x 17½" h.

CSA design certified. NSF listed.

SPECIFY TYPE OF GAS WHEN ORDERING.
SPECIFY ALTITUDE WHEN ABOVE 2,000 FT.



a division of ITW Food Equipment Group LLC

IRB36

GAS INFRARED SALAMANDER BROILER

INSTALLATION INSTRUCTIONS

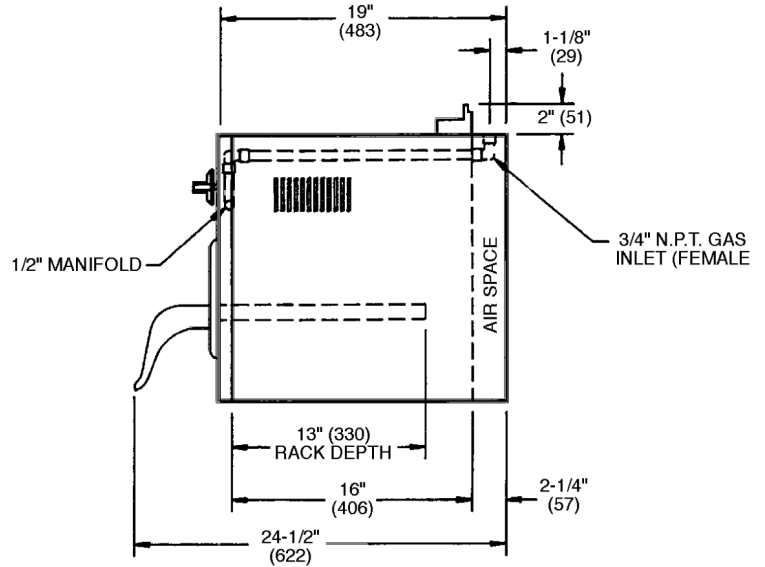
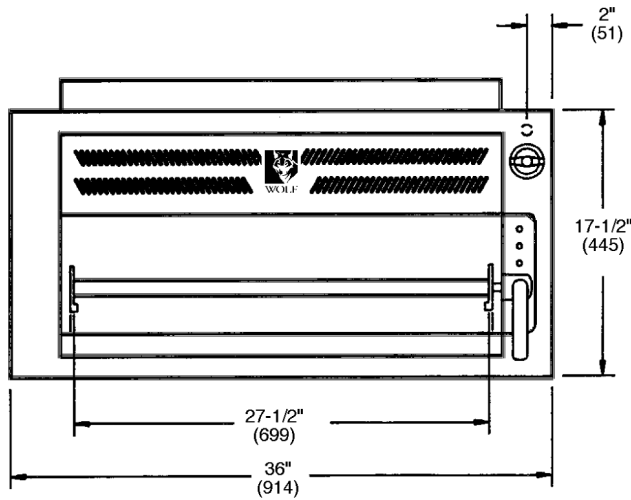
1. A gas pressure regulator sized for this unit is included. Natural Gas 5.0" (127 mm) W.C. Propane Gas 10.0" (254 mm) W.C.
2. Gas line connecting to appliance must be 3/4" diameter or larger. If flexible connectors are used, the inside diameter must be the same as the 3/4" iron pipe.
3. An adequate ventilation system is required for commercial cooking equipment. Information may be obtained by writing to the National Fire Protection Association, 1 Batterymarch Park, Quincy, MA 02169, www.NFPA.org. When writing refer to NFPA No. 96.
4. These units are manufactured for installation in accordance with National Fuel Gas Code, ANSI-Z223.1/NFPA #54 (latest edition). Copies may be obtained from The American Gas Association,

Accredited Standards Committee Z223 @ 400 N. Capital St. NW, Washington, DC 20001, or the Secretary Standards Council, NFPA, 1 Batterymarch Park, Quincy, MA 02169-7471.

NOTE: In the Commonwealth of Massachusetts

All gas appliances vented through a ventilation hood or exhaust system equipped with a damper or with a power means of exhaust shall comply with 248 CMR.

- | | | |
|----------------|-------------|-----------------|
| 5. Clearances: | Combustible | Non-Combustible |
| Rear | 0" | 0" |
| Sides | 2" | 0" |
| Bottom | 10" | 4" |
6. This appliance is manufactured for commercial installation only and is not intended for home use.



MODEL	WIDTH	DEPTH	HEIGHT	GRID RACK W X D	TOTAL BTU/HR.	APPROX. SHIP. WT.
IRB36	36"	19"	17½"	27½" x 13"	30,000	180 lbs./81 kg