



## ACCESSORIES: AGM AND ASA LOW PROFILE HEAVY-DUTY GAS GRIDDLES



**ASA24 With Towel Bar**



**GRIDDLE CUTTING BOARD    CHARBROILER CONDIMENT RAIL    HOTPLATE PLATE RAIL**

- CUTTING BOARD**
- CONDIMENT RAIL**
- PLATE RAIL**
- TOWEL BAR**
- LEG OPTIONS**
- BANKING STRIP**
- GROOVED GRIDDLE SCRAPER**
- KNOB GUARDS**

**KEY FEATURES:**

- ▶ Stainless steel construction.
- ▶ Welded and smooth blended edges.
- ▶ Line matched to ACB charbroiler and AHP hotplate accessories.
- ▶ Cutting board accessory features stainless steel frame with removable board inserts. Inserts are 1" thick X 7" wide, Sani-TUFF® rubber NSF listed boards.
- ▶ Condiment rails will accommodate up to the following amounts of 1/6 size containers:
  - 24" model – 3
  - 36" model – 4
  - 48" model – 6
  - 60" model – 8
  - 72" model – 9
- ▶ Plate rails feature a full 10<sup>5</sup>/<sub>8</sub>" deep stainless steel shelf.
- ▶ Towel bar accessory offers convenient location to hang towels and acts as a "belly bar" to prevent operator contact with a hot griddle.
- ▶ Adjustable bullet foot legs available in 6", 8", 10" and 12" lengths.
- ▶ Adjustable flange foot legs available in 4" and 6" lengths.
- ▶ Banking strip connects like side splashes together.
- ▶ Grooved griddle scraper has heavy duty handle and scraping head that matches grooved plate contour of AGM and ASA series griddles.
- ▶ Knob guards protect thermostat knobs from accidental damage. (one for each thermostat-ASA models only)
- ▶ One year limited parts and labor warranty.

**OPTIONAL FEATURES:**

- ▶ Product variations available. See your sales representative for product variance requests.

**Approved by** \_\_\_\_\_

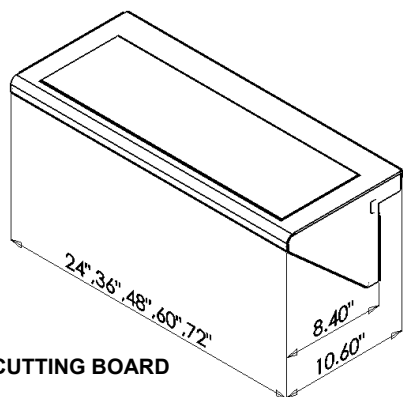
**Date:** \_\_\_\_\_

**SPECIFY GRIDDLE SIZE WHEN ORDERING**

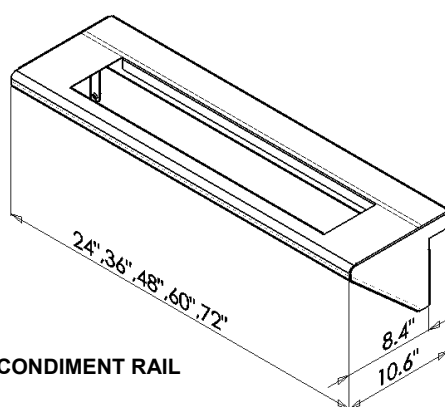
<b><i>WOLF RANGE COMPANY</i></b>	Wolf Range Company Division of ITW Food Equipment Group LLC (800) 366-9653 www.wolfrange.com
----------------------------------	---



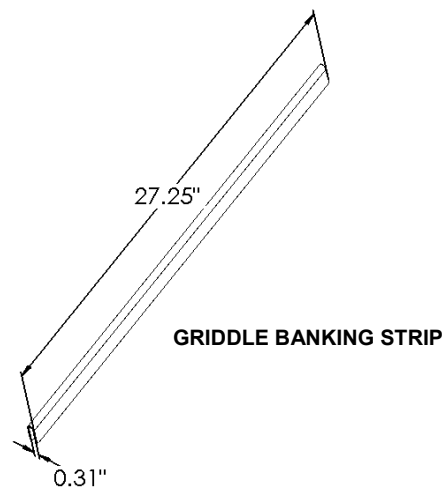
# ACCESSORIES: AGM AND ASA LOW PROFILE HEAVY DUTY GAS GRIDDLES



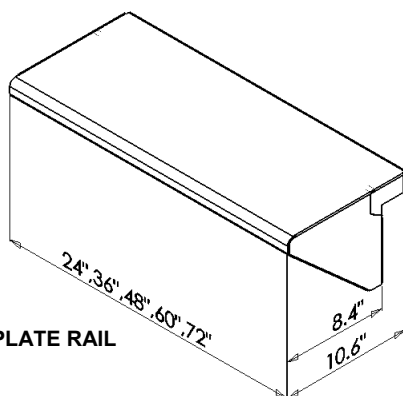
**CUTTING BOARD**



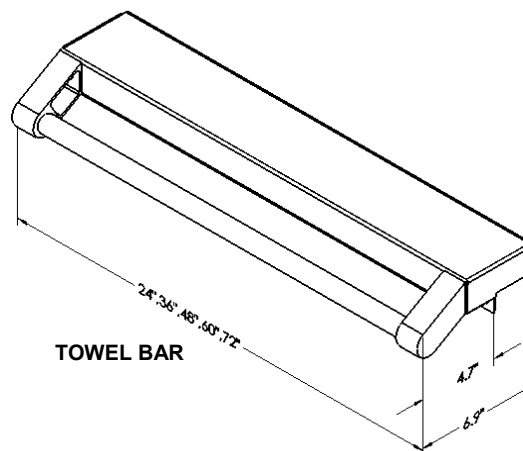
**CONDIMENT RAIL**



**GRIDDLE BANKING STRIP**



**PLATE RAIL**



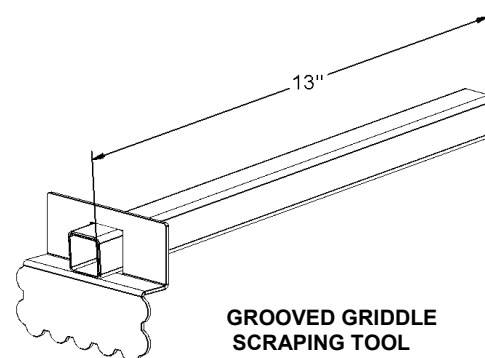
**TOWEL BAR**

SIZE	ACCESSORY CODES			
	CUTTING BOARD	CONDIMENT RAIL	PLATE RAIL	TOWEL BAR
24	CUTBD-24	CONRAIL-24	PLTRAIL-24	TOWELBR-24
36	CUTBD-36	CONRAIL-36	PLTRAIL-36	TOWELBR-36
48	CUTBD-48*	CONRAIL-48	PLTRAIL-48	TOWELBR-48
60	CUTBD-60*	CONRAIL-60	PLTRAIL-60	TOWELBR-60
72	CUTBD-72*	CONRAIL-72	PLTRAIL-72	TOWELBR-72

\*Two section board

\*Two section board

DESCRIPTION	ACCESSORY CODE
Flex gas hose for gas griddles (3/4" x 4 ft.)	3/4QDH-4FT
Wire knob guard (order one per thermostat)	WGUARD-KNOB
4" legs, flanged foot, 1.75" adjust, cook height 11.38"-13.13", Qty (4)	LEGS-GRD4F
6" legs, (5.63" nom.) 1.75" adjust, cook height 13.00"-14.75", Qty (4)	LEGS-GRD6
8" legs, 1.75" adjust, cook height 15.38"-17.13", Qty (4)	LEGS-GRD8
10" legs, 1.75" adjust, cook height 17.38"-19.13", Qty (4)	LEGS-GRD10
12" legs, (11.25" nom.) 1.75" adjust, cook height 18.63"-20.38", Qty (4)	LEGS-GRD12
6" flanged leg Qty (4)	LEGS-6FLG
Griddle banking strip (connects side splashes of two units)	BANKING-STRIP
Grooved griddle scraping tool	SCRAPER-GROOVE



**GROOVED GRIDDLE  
SCRAPING TOOL**

**NOTE:** In line with its policy to continually improve its product, Wolf Range Company reserves the right to change materials and specifications without notice.

**This appliance is manufactured for commercial use only and is not intended for home use.**